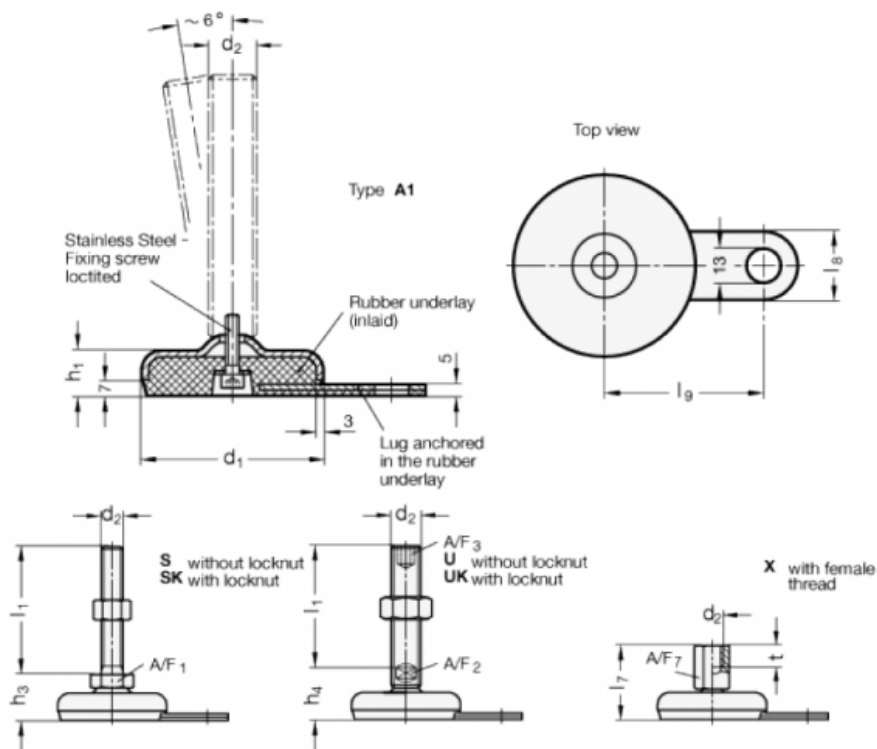


Data Sheet



Article number: 2032100M2063A1X
 Description: E+G levelling foot
 GN 32-100-M20-63-A1-X
 Note: X With female thread, External hexagon

Measures



A/F7	= 27
d1	= 100
d2	= M20
h1	= 21
l7	= 63
l8	= 30
l9	= 80
t	= 20